



Weaver LQD Rifle Mount Manual

Content

Description

Package Contents

Installation Procedure

Mount position options

Legal Compliances and Disclaimers

Description

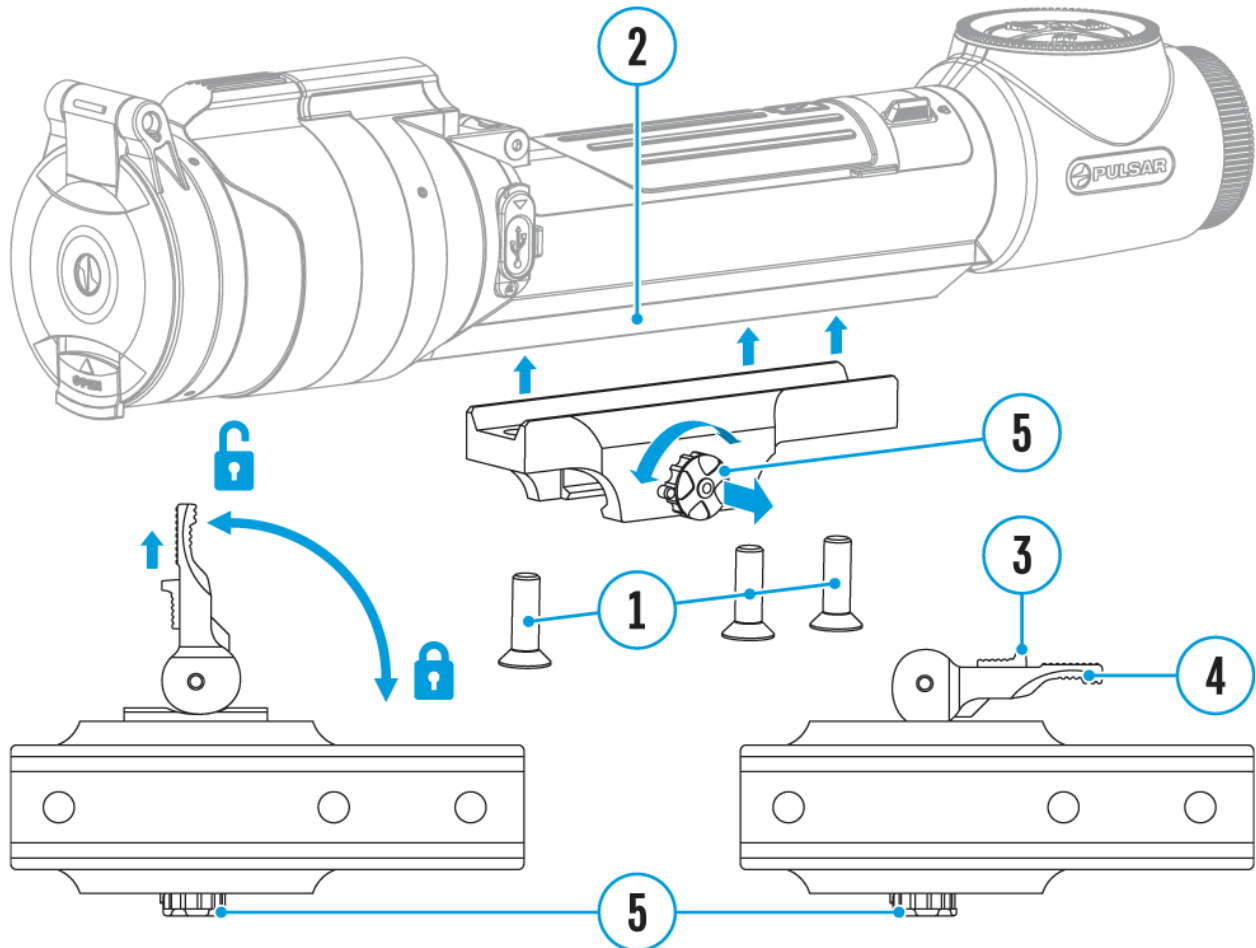
Pulsar Weaver LQD quick-release universal rifle mounts are designed to enable quick installation of Talion, Trail and Digisight/Digisight Ultra series riflescopes on a hunting shotgun.

The Weaver LQD rifle mount is 97 mm in length.

Package Contents

- Rifle mount
- Fixing screws (3 screws M6X12)
- T30 Torx wrench
- Operating manual
- Warranty card


Installation Procedure



Important

Mounting slots in the riflescope base enable installation of the rifle mount in various different **positions**. Choosing the rifle mount position helps to ensure correct eye relief, depending on the type of hunting shotgun.

Installation

1. Attach the rifle mount to the riflescope base (2) using a T30 Torx wrench and screws (1)(clamping force - 4 Nm/35.4 in-lbs).
2. Pull the lock(3) to the side and turn the clasp (4) to the Open position 


while holding the lock.

3. Mount the riflescope on the weapon rail and make sure the selected position is comfortable.



4. Remove the riflescope from the weapon rail.


5. Unscrew the screws one by one, apply a drop of threadlocker (e.g. Loctite 638) and screw back until it stops (clamping force – 4 Nm/35.4 in-lbs). Allow the threadlocker to dry as required.

6. Install the rifle mount with a riflescope on the weapon rail.

7. Move the clasp **(4)** to the Closed position .

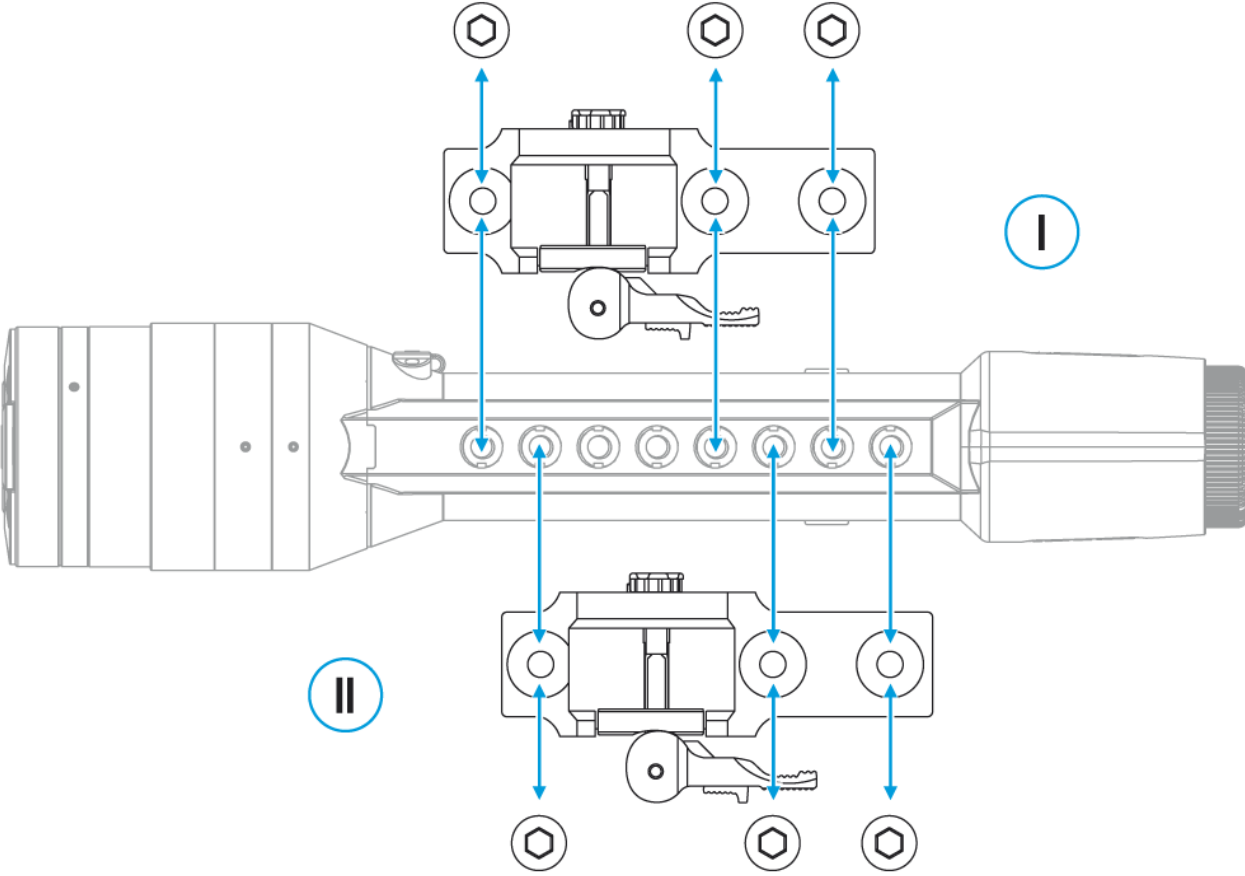
8. If there is any backlash, do the following:

- Move the clasp **(4)** to the Open position  and push it until the adjusting nut **(5)** disengages from the stopper.
- Keeping the clasp **(4)** pressed, turn the adjusting nut **(5)** clockwise.
- Check the clasp **(4)** fixation by moving it back to the Closed position . The clasp **(4)** should move with little effort. There should be no backlash of the riflescope relative to the weapon rail.
- If necessary, loosen or tighten the adjusting nut **(5)** as described above.

9. Move the clasp **(4)** to the Open position , the rifle mount should be easy to remove from the rail.

10. The riflescope is ready for zeroing.

Mount position options



Legal Compliances and Disclaimers

The manufacturer reserves the right at any time, without mandatory notice, to make changes to the package contents, design and characteristics that do not impair the quality of the product.

For technical support please contact support@pulsar-vision.com.

Answers to frequently asked questions about the devices can also be found in the [FAQ](#) section.